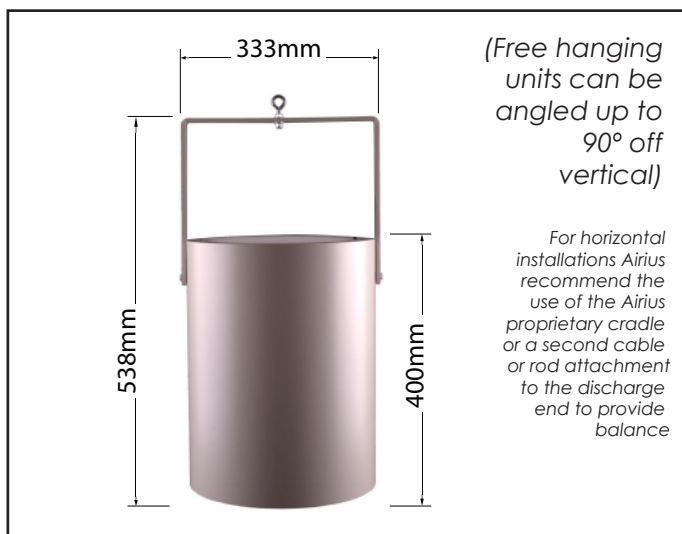


DESIGNER series

MODEL 15 DS DIMENSIONS



MODEL 15 DS PROPERTIES

UNIT SIZE	STANDARD
Weight:	6.8 kgs
Height to Rim:	400 mm
Total Height:	538 mm
Diameter:	333 mm

MOTOR	230V
Watts* @ 50 htz:	15
RPM* @ 50 htz:	1230
L/S* @ 50 htz (m3/hr):	191 (690)
AMPS* @ 50 htz:	.06

*Motor data provided by motor manufacturer and is subject to change at anytime

COVERAGE

- Floor area = 74m²
- Diameter = 9.7m
- Ceiling Height = 4m - 5m

MOTOR

- Single Phase, shaded pole single speed (variable with optional speed control), axial motor
- 1230 rpm @ 50htz

OPERATING TEMPERATURES

- Min start temp (approx.) = - 10° C
- Min running temp = - 20° C
- Shut off = 110° C
- Reset = 90° C

HOUSING

- Aluminium: powder coated off white
- Internal PC/ABS components 5VA flame rating

INGRESS PROTECTION

- IP55 Rated

NOISE LEVELS

- Sound Power Level 44 dB(A)
- Sound Pressure Level @ 1 Mts 36 dB(A)
- Sound Pressure Level @ 2 Mts 30 dB(A)

Note: A typical free field environment over a reflecting plane.

* All acoustic testing undertaken at the EBM- Papst Acoustic Laboratories in Connecticut USA during August 2014

Please contact Airius for full Noise Testing Report

COLOUR

- Cool gray 2C - Off white as standard
- Can be tailor painted to your colour specifications

ACCESSORIES & OPTIONS

- Airius Transformer type speed controller 1 and 5 Amp available. 0-100% in 5 steps
- Airius speed control - TRIAC speed control to adjust top end RPM
- PHI kit - Photohydroionization - Advanced oxidation technology - Used to mitigate air contaminants

WARRANTY

- 5 years full manufacturers replacement from date of despatch. Subsequent 5 year 'half new price' rebuild cover

MODEL 15 DS PLACEMENT

PREPARATION

- Install electrical circuit(s) and outlet(s) in accordance with national and local electric codes
- Outlets should generally be mounted vertically unless a "twist/locking" type is being used
- Wall switch may be installed in circuit to disable power and prevent electrical hazards when servicing
- Confirm electrical continuity of Airius unit on the ground before permanently mounting in the ceiling

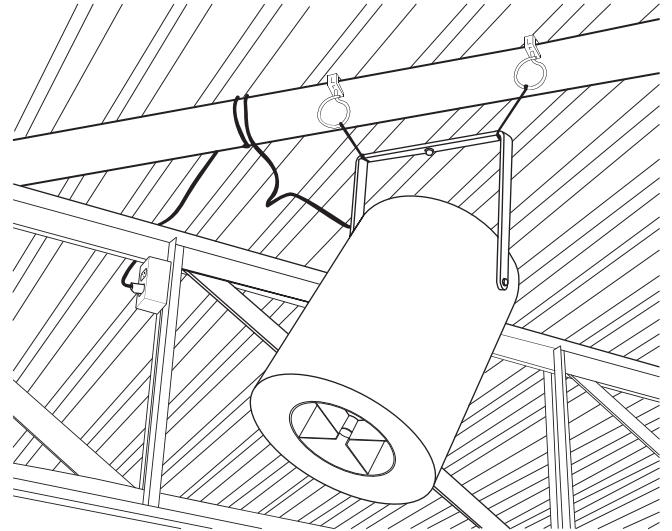
INSTALLATION

- Hang vertically as high in the ceiling as possible
Typically 300 – 450 mm from the roof deck to intake
- The Airius unit performs best when air column from the nozzle is unimpeded to the floor
- Use professionally installed hardware, capable of supporting a minimum of five times the weight
- Hardware to hang the unit includes but is not restricted to: Hooks, chains, cables, carabiners, bridle rings, beam clamps and bolts
- Density of the placement is directly related to the effectiveness, performance and savings
- Mount out of reach from people and animals
- Floor plans, mezzanines, office locations, machinery, people placement, plumbing, lighting, duct work, electrical systems, natural light/air systems, cranes, doors, windows, ventilation and fire suppression systems are all factors in properly locating the Airius system within the ceiling

NOTE:- Air Pears must not be installed directly to structure if they are to be angled. In this case a small length of cable or wire must be used between the handle and the structure to reduce compound twisting torque on the handle.

OPERATION

- Designed to operate 24 hours-a-day, 7 days-a-week to maintain thermal equalization/humidity equalization
- Use optional speed control to fine tune RPM if needed



MAINTENANCE

- Frequency of cleaning will vary by application and environment
- You may clean the aluminium housing with a damp warm cloth, using mild household detergents
- Do not use petroleum products, thinners or solvents to clean any part of the Airius unit
- If the Airius unit fails, contact manufacturer

MATERIALS & PROPERTIES

- Constructed from recyclable materials
- The outer shell, stator and fan blades are fire rated 5VA materials
- Power cord is a 3 wire 1.02 mm diameter 300VAC rated electrical cord - CE/EU compliance rated as HO5VV
- Single phase, shaded pole, single speed, axial motor
- Motor is thermally protected. Shutoff is at 110°C & reset is at 90°C
- Sound Power Level 44 dB(A) at 50 htz
- No lubrication required. Bearings are sealed



Airius LLC, © 2011. All Rights Reserved.