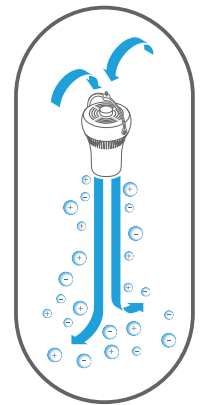
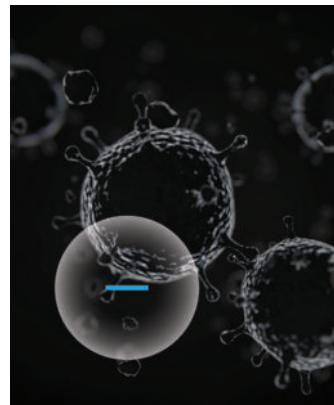




PUREAIR

Breathe freely with safe, clean indoor air



People spend 90% of their time indoors, what you breathe shouldn't hurt you. But many people don't realize how poor the air quality is indoors. Indoor air is full of particles, pathogens, bacteria, molds, and odors that are trapped by the building and circulated throughout the facility by the HVAC system.

Who wants to be breathing air like that?

Airus PureAir™ fans eliminate pathogens, bacteria, molds, and even odors using patented Needle Point Bipolar Ionization (NPBI™) which constantly cleans the air of unwanted organisms and odors.

How does it work?

Ionized air has been proven to eliminate organisms and odors by putting an electrical charge to the air molecules. These charged air molecules will bind to organisms and disrupt the pathogens' surface proteins, rendering them inactive and unable to replicate leaving only clean air for you to breathe.

And ionized air can eliminate odors too by breaking down chemical, pet, cooking, and other odors into basic harmless compounds, leaving indoor air smelling fresh and substantially reducing odor-causing Volatile Organic Compounds (VOCs).

Naturally occurring ions are everywhere in the outdoors, and they are constantly working to clean the air. Ions are created with energy from rushing water, crashing waves and even sunlight. Airus has partnered with Global Plasma Solutions (GPS) to use their NPBI technology which generates ions without producing ozone or other harmful byproducts, so you can bring outdoor freshness to the indoors.

And ionized air has been used for years and proven safe for humans and pets.

Studies have proven the ability of PureAir's NPBI technology to reduce infectivity of certain viruses by 90% or more*.

The Airus PureAir:

- » is low maintenance - no filters to change
- » easy to install - does not require access to existing ducts
- » can be targeted to high use areas

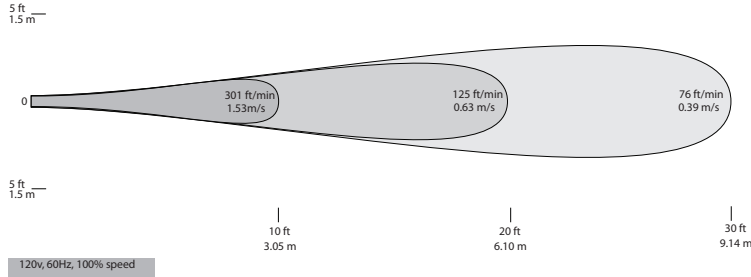
Call today and talk with one of our Indoor Air Quality Specialists about how the PureAir can work for you.

*airiusfans.com/disclaimer/

NPBI® is a trademark of Global Plasma Solutions, Inc. in the United States and/or other countries.

Airius PureAir™

AIRIUS.COM.AU | +61 (0) 7 5645 6581



Housing: PC/ABS, UL 94 5VA flame resistance.

Motor: 228mm, single phase, shaded pole, axial motor. Motor is thermally protected. Operating temperature: -4° F (-20° C) to 158° F (70° C). No lubrication required. Bearings are sealed.

Power Cord: 6 foot cord and plug provided for 120V fans.

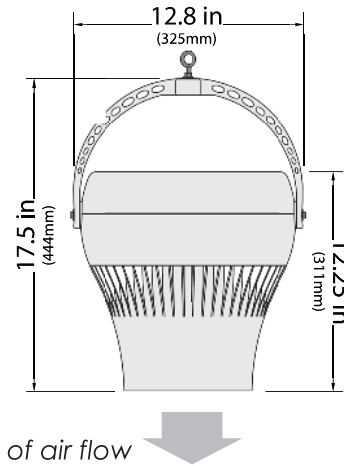
Control Input: Fixed speed.

Stator: Patented multi-vane stator significantly increases air throw for maximizing performance.

NPBI™: Carbon fiber brush emitters, > 240 Million +/- Ions/cc. Daily auto-cleaning feature.

Safety Cable: 6' length steel cable (fastened to body)

Warranty: 3 years parts and workmanship for fan
1 years parts and workmanship for NPBI component



Technical Specifications

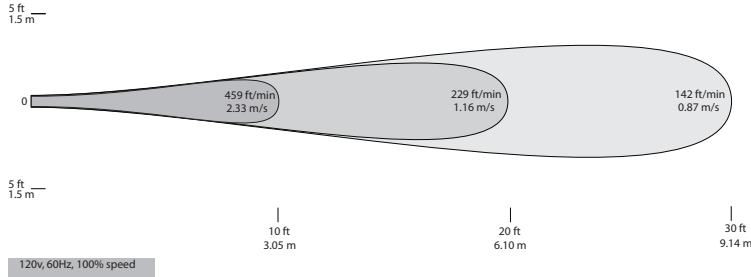
Model	Input Power, 1 Ø	Amps	Watts	RPM	dB(A) ¹	Weight	Colors
A-10-SP-SH-120-X-NPG	120VAC, 60Hz	0.17	20	860	27, 21, 18	7 lbs.	X = Off white (W) or black (B)

(1) Calculated sound pressure at 5, 10 and 15 foot distances based on non-reflective area. 41.8 dB(A) Sound Power Level, designed to meet ISO 3744 - engineering grade precision for determining sound power. Data independently verified by third party. Tests performed in-unit.

Factory Installed Options

Item	Description
GUARD25	Intake grille: Phosphated steel coated in black plastic

Model:	Qty:
Controls/Options:	Qty:



Housing: PC/ABS, UL 94 5VA flame resistance.

Motor: 228mm, single phase, shaded pole, axial motor. Motor is thermally protected. Operating temperature: -4° F (-20° C) to 158° F (70° C). No lubrication required. Bearings are sealed.

Power Cord: 6 foot cord and plug provided for 120V fans.

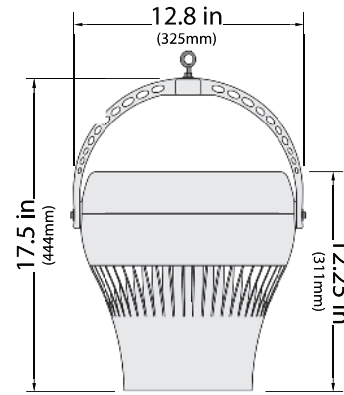
Control Input: Fixed speed.

Stator: Patented multi-vane stator significantly increases air throw for maximizing performance.

NPBI™: Carbon fiber brush emitters, > 240 Million +/- Ions/cc. Daily auto-cleaning feature.

Safety Cable: 6' length steel cable (fastened to body)

Warranty: 3 years parts and workmanship for fan
1 years parts and workmanship for NPBI component



Direction of air flow



Technical Specifications

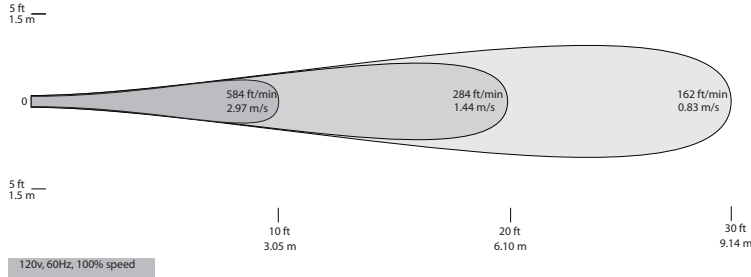
Model	Input Power, 1 Ø	Amps	Watts	RPM	dB(A) ¹	Weight	Colors
A-15-SP-SH-120-X-NPG	120VAC, 60Hz	0.21	22	1057	33, 27, 23	7 lbs.	X = Off white (W) or black (B)

(1) Calculated sound pressure at 5, 10 and 15 foot distances based on non-reflective area. 47.3 dB(A) Sound Power Level, designed to meet ISO 3744 - engineering grade precision for determining sound power. Data independently verified by third party. Tests performed in-unit.

Factory Installed Options

Item	Description
GUARD25	Intake grille: Phosphated steel coated in black plastic

Model:	Qty:
Controls/Options:	Qty:



Housing: PC/ABS, UL 94 5VA flame resistance.

Motor: 228mm, single phase, shaded pole, axial motor. Motor is thermally protected. Operating temperature: -4° F (-20° C) to 158° F (70° C). No lubrication required. Bearings are sealed.

Power Cord: 6 foot cord and plug provided for 120V fans.

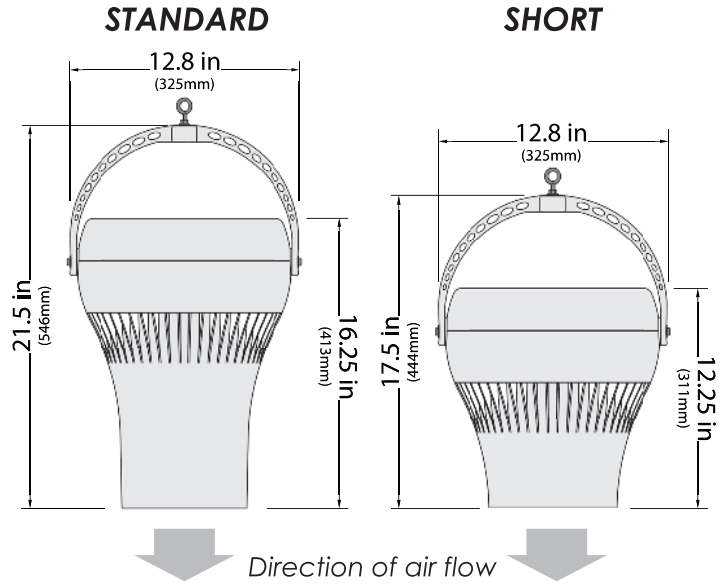
Control Input: Fixed speed.

Stator: Patented multi-vane stator significantly increases air throw for maximizing performance.

NPBI™: Carbon fiber brush emitters, > 240 Million +/- Ions/cc. Daily auto-cleaning feature.

Safety Cable: 6' length steel cable (fastened to body)

Warranty: 3 years parts and workmanship for fan
1 years parts and workmanship for NPBI component



Technical Specifications

Model	Input Power, 1 Ø	Amps	Watts	RPM	dB(A) ¹	Weight	Colors
A-25-SP-STD-120-X-NPG	120VAC, 60Hz	0.34	41	1670	35, 33, 31	9 lbs.	X = Off white (W) or black (B)
A-25-SP-STD-277-X-NPG	277VAC, 60Hz	0.19	49	1650	35, 33, 31	9 lbs.	X = Off white (W) or black (B)
A-25-SP-SH-120-X-NPG	120VAC, 60Hz	0.34	41	1670	35, 33, 31	7 lbs.	X = Off white (W) or black (B)
A-25-SP-SH-277-X-NPG	277VAC, 60Hz	0.19	49	1650	35, 33, 31	7 lbs.	X = Off white (W) or black (B)

(1) Calculated sound pressure at 15, 20 and 25 foot distances based on non-reflective area. 60 dB(A) Sound Power Level, designed to meet ISO 3744 - engineering grade precision for determining sound power. Data independently verified by third party. Tests performed in-unit.

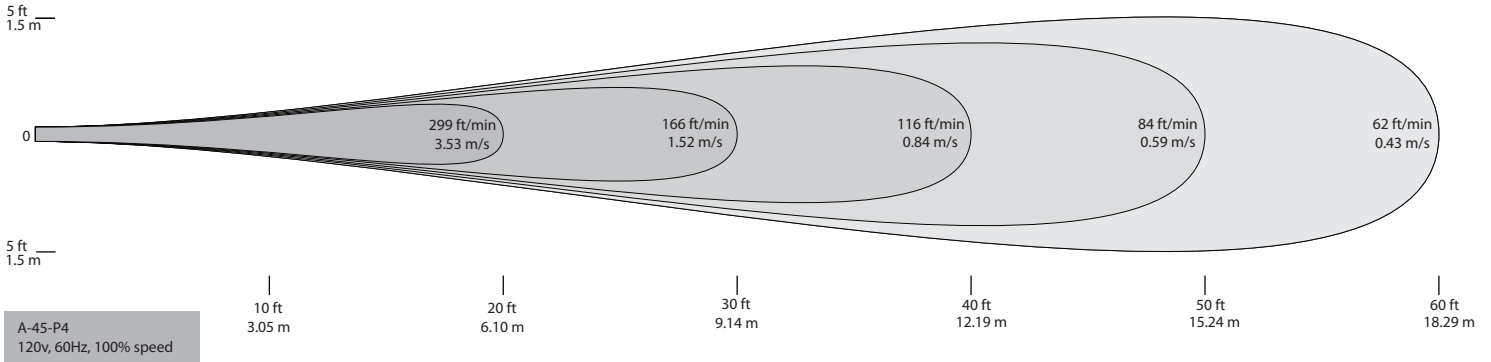
Factory Installed Options

Item	Description
GUARD25	Intake grille: Phosphated steel coated in black plastic

Model:	Qty:
Controls/Options:	Qty:

Airius PureAir™

AIRIUS.COM.AU | +61 (0) 7 5645 6581



Housing: PC/ABS, 5VA flame resistance.

Motor: 250mm, permanent split capacitor, single speed, axial motor. Motor is thermally protected. Operating temperature: -13° F (-25° C) to 158° F (70° C). No lubrication required. Bearings are sealed.

Power Cord: 6 foot cord and plug provided for 120V fans, no plug for 277V.

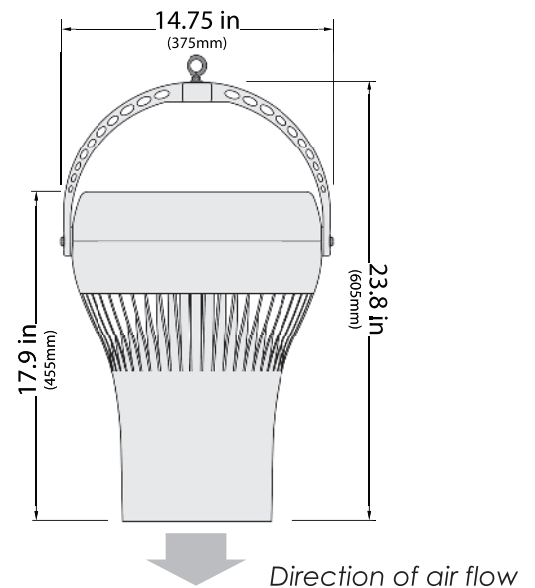
Control Input: Fixed speed.

Stator: Patented multi-vane stator significantly increases air throw for maximizing performance.

NPBI™: Carbon fiber brush emitters, > 240 Million +/- Ions/cc. Daily auto-cleaning feature.

Safety Cable: 6' length steel cable (fastened to body)

Warranty: 3 years parts and workmanship for fan
1 years parts and workmanship for NPBI component

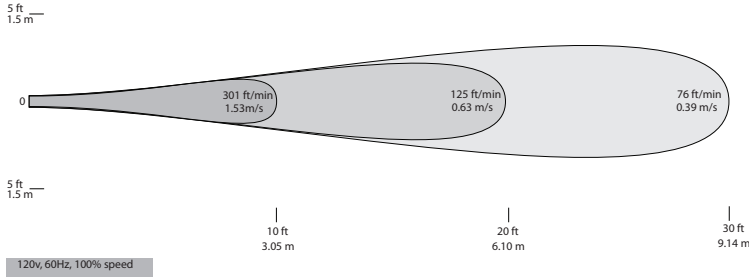


Technical Specifications

Model	Input Power, 1 Ø	Amps	Watts	RPM	dB(A) ¹	Weight	Colors
A-45-P4-STD-120-X-NPG	120VAC, 60Hz	0.48	58	1550	39, 38, 37	14 lbs.	X = Off white (W) or black (B)

(1) Calculated sound pressure at 30, 35 and 40 foot distances based on non-reflective area. 69.3 dB(A) Sound Power Level, designed to meet ISO 3744 - engineering grade precision for determining sound power. Data independently verified by third party. Tests performed in-unit.

Model:	Qty:
Controls/Options:	Qty:



Housing: PC/ABS, UL 94 5VA flame resistance.

Motor: 230mm, electrically commutated, thermally-protected axial motor by ebm-papst®. Operating temperature: -22°F (-30°C) to 122°F (50°C). No lubrication required, bearings are sealed.

Power Cord: 6 foot cord and plug provided for 100-130V fans, no plug for 200-250V.

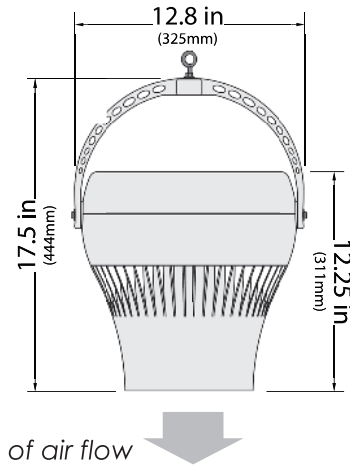
Control Input: 0-10VDC.

Stator: Patented multi-vane stator significantly increases air throw for maximizing performance.

NPBI™: Carbon fiber brush emitters, > 240 Million +/- Ions/cc. Daily auto-cleaning feature.

Safety Cable: 6' length steel cable (fastened to body)

Warranty: 3 years parts and workmanship for fan
1 years parts and workmanship for NPBI component



Technical Specifications

Model	Input Power, 1 Ø	Amps	Watts	RPM	dB(A) ¹	Weight	Colors
A-10-EC-SH-100-130-X-CON-NPG	120VAC, 60Hz	0.2	28	860	27, 21, 18	7 lbs.	X = Off white (W) or black (B)

(1) Calculated sound pressure at 5, 10 and 15 foot distances based on non-reflective area. 41.8 dB(A) Sound Power Level, designed to meet ISO 3744 - engineering grade precision for determining sound power. Data independently verified by third party. Tests performed in-unit.

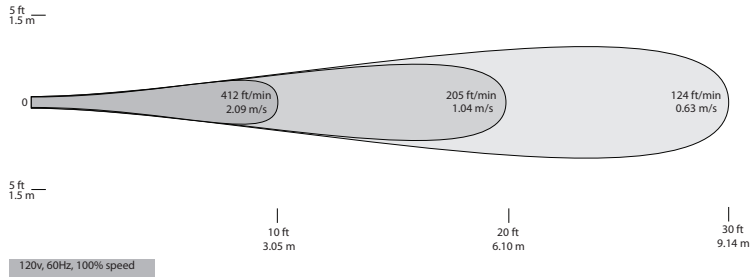
Controls & Factory Installed Options

Item	Description
Pearlink-F	Pearlink Fan Sensor- One Per Fan. Wi-Fi iOS/Android App based controller
Pearlink-T	Pearlink wired (120v) Floor Thermostat- One Per Room
POT-1	Wall-mounted speed control. Low voltage control wiring daisy-chained between fans to be controlled as a group.
BACnet	BACnet/IP package for integration with an existing BACnet system. Individually control speed, on/off and monitor fan status.
GUARD25	Intake grille: Phosphated steel coated in black plastic. Recommended for installations where occupants can reach fans.

Model:	Qty:
Controls/Options:	Qty:

Airius PureAir™

AIRIUS.COM.AU | +61 (0) 7 5645 6581



Housing: PC/ABS, UL 94 5VA flame resistance.

Motor: 230mm, electrically commutated, thermally-protected axial motor by ebm-papst®. Operating temperature: -22°F (-30°C) to 122°F (50°C). No lubrication required, bearings are sealed.

Power Cord: 6 foot cord and plug provided for 100-130V fans, no plug for 200-250V.

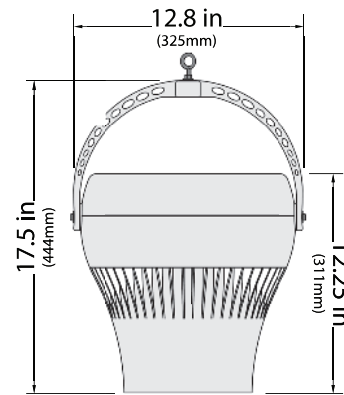
Control Input: Fixed speed.

Stator: Patented multi-vane stator significantly increases air throw for maximizing performance.

NPBI™: Carbon fiber brush emitters, > 240 Million +/- Ions/cc. Daily auto-cleaning feature.

Safety Cable: 6' length steel cable (fastened to body)

Warranty: 3 years parts and workmanship for fan
1 years parts and workmanship for NPBI component



Direction of air flow ↓



Technical Specifications

Model	Input Power, 1 Ø	Amps	Watts	RPM	dB(A) ¹	Weight	Colors
A-15-EC-SH-100-130-X-CON-NPG	100-130VAC, 60Hz	0.18	22	1170	47, 41, 37	7 lbs.	X = Off white (W) or black (B)
A-15-EC-SH-200-250-X-CON-NPG	200-250VAC, 60Hz	0.11	15	1260	47, 41, 37	7 lbs.	X = Off white (W) or black (B)

(1) Calculated sound pressure at 5, 10 and 15 foot distances based on non-reflective area. 62 dB(A) Sound Power Level, designed to meet ISO 3744 - engineering grade precision for determining sound power. Data independently verified by third party. Tests performed in-unit.

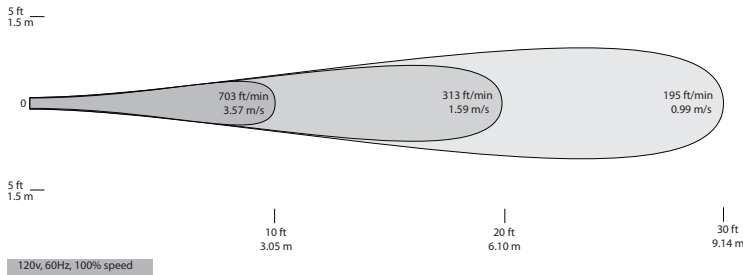
Controls & Factory Installed Options

Item	Description
Pearlink-F	Pearlink Fan Sensor- One Per Fan. Wi-Fi iOS/Android App based controller
Pearlink-T	Pearlink wired (120v) Floor Thermostat- One Per Room
POT-1	Wall-mounted speed control. Low voltage control wiring daisy-chained between fans to be controlled as a group.
BACnet	BACnet/IP package for integration with an existing BACnet system. Individually control speed, on/off and monitor fan status.
GUARD25	Intake grille: Phosphated steel coated in black plastic. Recommended for installations where occupants can reach fans.

Model:	Qty:
Controls/Options:	Qty:

Airius PureAir™

AIRIUS.COM.AU | +61 (0) 7 5645 6581



Housing: PC/ABS, UL 94 5VA flame resistance.

Motor: 230mm, electrically commutated, thermally-protected axial motor by ebm-papst®. Operating temperature: -22°F (-30°C) to 122°F (50°C). No lubrication required, bearings are sealed.

Power Cord: 6 foot cord and plug provided for 100-130V fans, no plug for 200-250V.

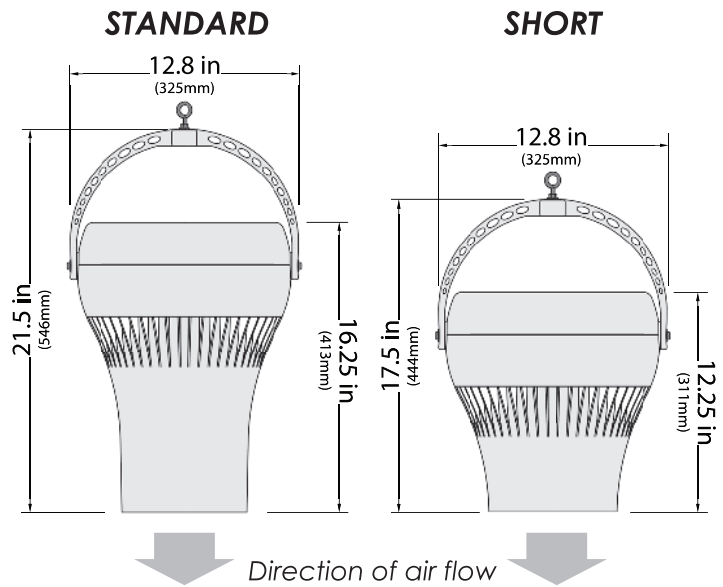
Control Input: 0-10VDC.

Stator: Patented multi-vane stator significantly increases air throw for maximizing performance.

NPBI™: Carbon fiber brush emitters, > 240 Million +/- Ions/cc. Daily auto-cleaning feature.

Safety Cable: 6' length steel cable (fastened to body)

Warranty: 3 years parts and workmanship for fan
1 years parts and workmanship for NPBI component



Technical Specifications

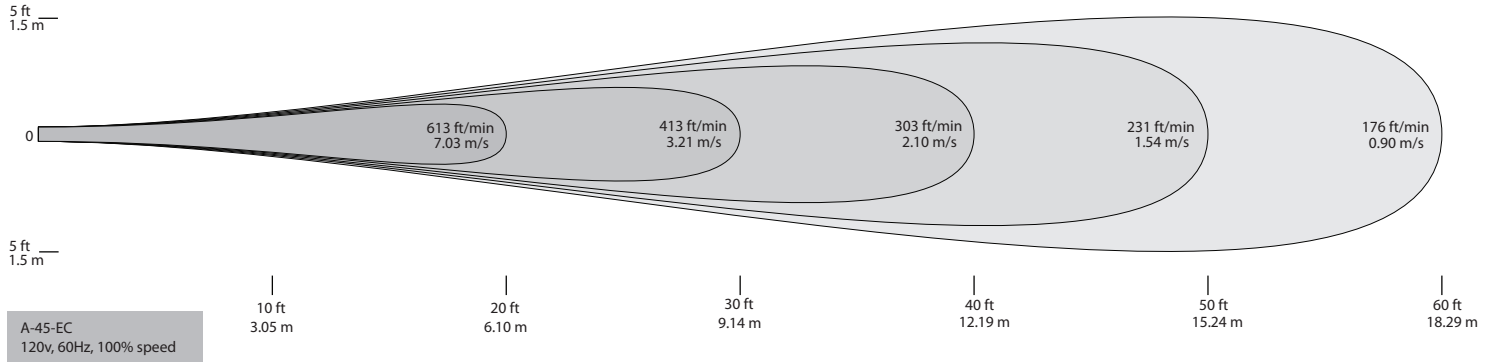
Model	Input Power, 1 Ø	Amps	Watts	RPM	dB(A) ¹	Weight	Colors
A-25-EC-STD-100-130-X-CON-NPG	100-130VAC, 60Hz	0.49	35	1640	44, 42, 40	9 lbs.	X = Off white (W) or black (B)
A-25-EC-STD-200-250-X-CON-NPG	200-250VAC, 60Hz	0.29	34	1700	44, 42, 40	9 lbs.	X = Off white (W) or black (B)
A-25-EC-SH-100-130-X-CON-NPG	100-130VAC, 60Hz	0.49	35	1640	44, 42, 40	7 lbs.	X = Off white (W) or black (B)
A-25-EC-SH-200-250-X-CON-NPG	200-250VAC, 60Hz	0.29	34	1700	44, 42, 40	7 lbs.	X = Off white (W) or black (B)

(1) Calculated sound pressure at 15, 20 and 25 foot distances based on non-reflective area. 69 dB(A) Sound Power Level, designed to meet ISO 3744 - engineering grade precision for determining sound power. Data independently verified by third party. Tests performed in-unit.

Controls & Factory Installed Options

Item	Description
Pearlink-F	Pearlink Fan Sensor- One Per Fan. Wi-Fi iOS/Android App based controller
Pearlink-T	Pearlink wired (120v) Floor Thermostat- One Per Room
POT-1	Wall-mounted speed control. Low voltage control wiring daisy-chained between fans to be controlled as a group.
BACnet	BACnet/IP package for integration with an existing BACnet system. Individually control speed, on/off and monitor fan status.
GUARD25	Intake grille: Phosphated steel coated in black plastic. Recommended for installations where occupants can reach fans.

Model:	Qty:
Controls/Options:	Qty:



Housing: PC/ABS, 5VA flame resistance.

Motor: 250mm, electrically commutated, thermally-protected axial motor by ebm-papst®, 92% efficient. Operating temperature: -13° F (-25° C) to 140° F (60° C). No lubrication required, bearings are sealed.

Power Cord: 6 foot cord and plug provided for 100-130V fans, no plug for 200-277V.

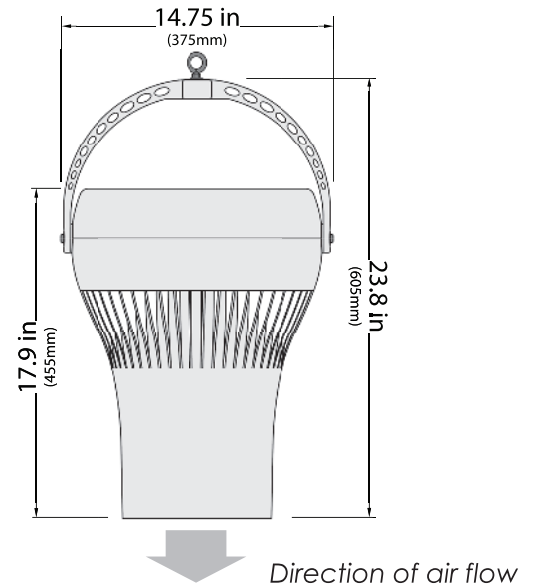
Control Input: 0-10VDC.

Stator: Patented multi-vane stator significantly increases air throw for maximizing performance.

NPBI™: Carbon fiber brush emitters, > 240 Million +/- Ions/cc. Daily auto-cleaning feature.

Safety Cable: 6' length steel cable (fastened to body)

Warranty: 3 years parts and workmanship for fan
1 years parts and workmanship for NPBI component



Technical Specifications

Model	Input Power, 1 Ø	Amps	Watts	RPM	dB(A) ¹	Weight	Colors
A-45-EC-STD-100-130-X-NPG	100-130VAC, 60Hz	2.2	158	2789	54, 53, 52	14 lbs.	X = Off white (W) or black (B)
A-45-EC-STD-200-277-X-NPG	200-277VAC, 60Hz	1.42	179	3050	54, 53, 52	14 lbs.	X = Off white (W) or black (B)

(1) Calculated sound pressure at 35, 40 and 45 foot distances based on non-reflective area. 85.7 dB(A) Sound Power Level, designed to meet ISO 3744 - engineering grade precision for determining sound power. Data independently verified by third party. Tests performed in-unit.

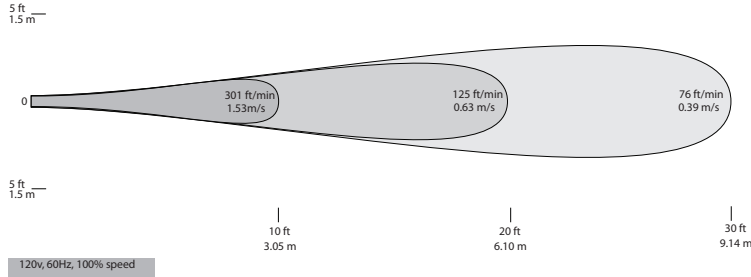
Controls & Factory Installed Options

Item	Description
Pearlink-F	Pearlink Fan Sensor- One Per Fan. Wi-Fi iOS/Android App based controller
Pearlink-T	Pearlink wired (120v) Floor Thermostat- One Per Room
POT-1	Wall-mounted speed control. Low voltage control wiring daisy-chained between fans to be controlled as a group.
BACnet	BACnet/IP package for integration with an existing BACnet system. Individually control speed, on/off and monitor fan status.

Model:	Qty:
Controls/Options:	Qty:

Airius PureAir™

AIRIUS.COM.AU | +61 (0) 7 5645 6581



Housing: PC/ABS, UL 94 5VA flame resistance. Used in a 2 ft. x 2 ft. acoustic ceiling.

Motor: 228mm, single phase, shaded pole, axial motor. Motor is thermally protected. Operating temperature: -4° F (-20° C) to 158° F (70° C). No lubrication required. Bearings are sealed.

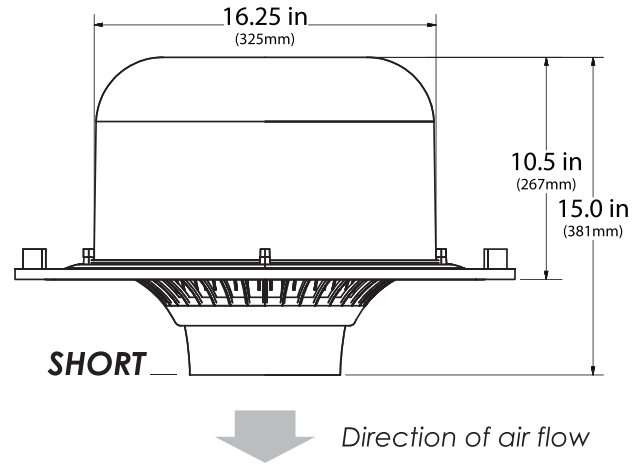
Power: A junction box and receptacle are supplied. Contractor will need to provide MC cable and wire directly to j-box/receptacle mounted to side of dome.

Control Input: Fixed speed.

Stator: Patented multi-vane stator significantly increases air throw for maximizing performance.

NPBI™: Carbon fiber brush emitters, > 240 Million +/- Ions/cc. Daily auto-cleaning feature.

Warranty: 3 years parts and workmanship for fan
1 years parts and workmanship for NPBI component



Technical Specifications

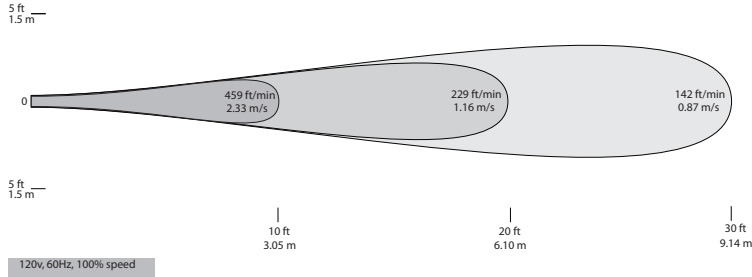
Model	Input Power, 1 Ø	Amps	Watts	RPM	dB(A) ¹	Weight	Colors
S-10-SP-SH-120-X-NPG	120VAC, 60Hz	0.17	20	860	27, 21, 18	7 lbs.	X = Off white (W) or black (B)

(1) Calculated sound pressure at 5, 10 and 15 foot distances based on non-reflective area. 41.8 dB(A) Sound Power Level, designed to meet ISO 3744 - engineering grade precision for determining sound power. Data independently verified by third party. Tests performed in-unit.

Factory Installed Options

Item	Description
STUB-X	HVAC duct stub (X = 6, 8 or 10) inches. Attach an air supply duct directly to the dome.

Model:	Qty:
Controls/Options:	Qty:



Housing: PC/ABS, UL 94 5VA flame resistance. Used in a 2 ft. x 2 ft. acoustic ceiling.

Motor: 228mm, single phase, shaded pole, axial motor. Motor is thermally protected. Operating temperature: -4° F (-20° C) to 158° F (70° C). No lubrication required. Bearings are sealed.

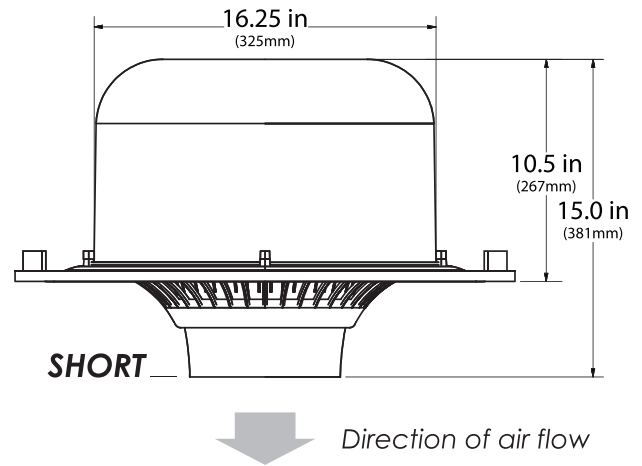
Power: A junction box and receptacle are supplied. Contractor will need to provide MC cable and wire directly to j-box/receptacle mounted to side of dome.

Control Input: Fixed speed.

Stator: Patented multi-vane stator significantly increases air throw for maximizing performance.

NPBI™: Carbon fiber brush emitters, > 240 Million +/- Ions/cc. Daily auto-cleaning feature.

Warranty: 3 years parts and workmanship for fan
1 years parts and workmanship for NPBI component



Technical Specifications

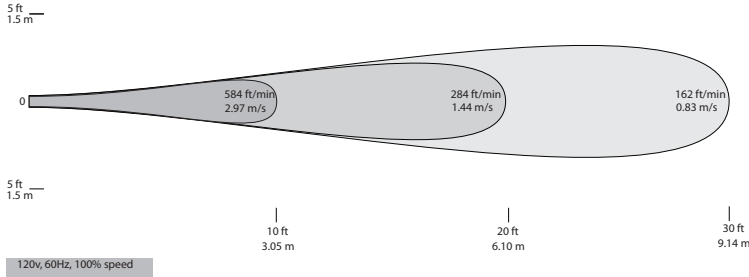
Model	Input Power, 1 Ø	Amps	Watts	RPM	dB(A) ¹	Weight	Colors
S-15-SP-SH-120-X-NPG	120VAC, 60Hz	0.21	22	1057	33, 27, 23	15 lbs.	X = Off white (W) or black (B)

(1) Calculated sound pressure at 5, 10 and 15 foot distances based on non-reflective area. 47.3 dB(A) Sound Power Level, designed to meet ISO 3744 - engineering grade precision for determining sound power. Data independently verified by third party. Tests performed in-unit.

Factory Installed Options

Item	Description
STUB-X	HVAC duct stub (X = 6, 8 or 10) inches. Attach an air supply duct directly to the dome.

Model:	Qty:
Controls/Options:	Qty:



Housing: PC/ABS, UL 94 5VA flame resistance. Used in a 2 ft. x 2 ft. acoustic ceiling.

Motor: 228mm, single phase, shaded pole, axial motor. Motor is thermally protected. Operating temperature: -4° F (-20° C) to 158° F (70° C). No lubrication required. Bearings are sealed.

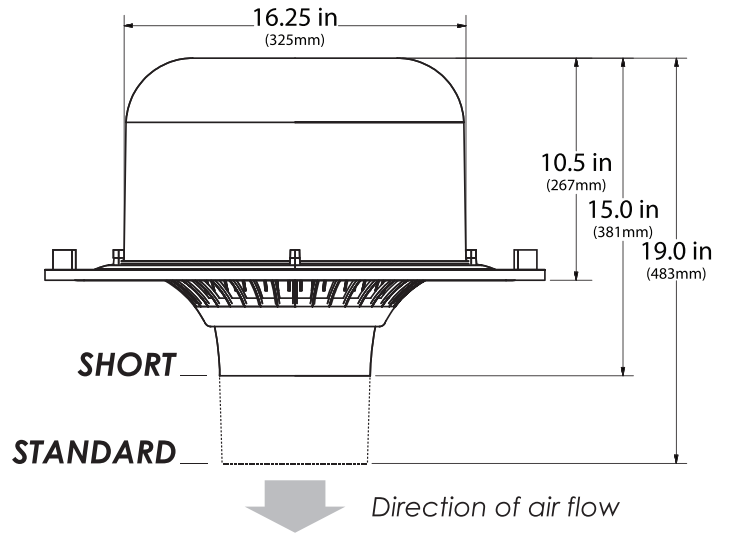
Power: A junction box and receptacle are supplied. Contractor will need to provide MC cable and wire directly to j-box/receptacle mounted to side of dome.

Control Input: Fixed speed.

Stator: Patented multi-vane stator significantly increases air throw for maximizing performance.

NPBI™: Carbon fiber brush emitters, > 240 Million +/- Ions/cc. Daily auto-cleaning feature.

Warranty: 3 years parts and workmanship for fan
1 years parts and workmanship for NPBI component



Technical Specifications

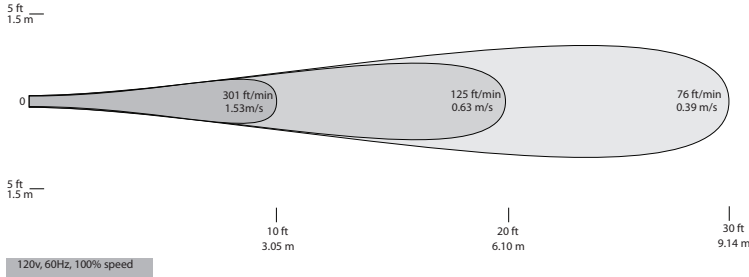
Model	Input Power, 1 Ø	Amps	Watts	RPM	dB(A) ¹	Weight	Colors
S-25-SP-STD-120-X-NPG	120VAC, 60Hz	0.34	41	1670	35, 33, 31	16 lbs.	X = Off white (W) or black (B)
S-25-SP-STD-277-X-NPG	277VAC, 60Hz	0.19	49	1650	35, 33, 31	16 lbs.	X = Off white (W) or black (B)
S-25-SP-SH-120-X-NPG	120VAC, 60Hz	0.34	41	1670	35, 33, 31	15 lbs.	X = Off white (W) or black (B)
S-25-SP-SH-277-X-NPG	277VAC, 60Hz	0.19	49	1650	35, 33, 31	15 lbs.	X = Off white (W) or black (B)

(1) Calculated sound pressure at 15, 20 and 25 foot distances based on non-reflective area. 60 dB(A) Sound Power Level, designed to meet ISO 3744 - engineering grade precision for determining sound power. Data independently verified by third party. Tests performed in-unit.

Factory Installed Options

Item	Description
STUB-X	HVAC duct stub (X = 6, 8 or 10) inches. Attach an air supply duct directly to the dome.

Model:	Qty:
Controls/Options:	Qty:



Housing: PC/ABS, UL 94 5VA flame resistance. Used in a 2 ft. x 2 ft. acoustic ceiling.

Motor: 230mm, electrically commutated, thermally-protected axial motor by ebm-papst®. Operating temperature: -22°F (-30°C) to 122°F (50°C). No lubrication required, bearings are sealed.

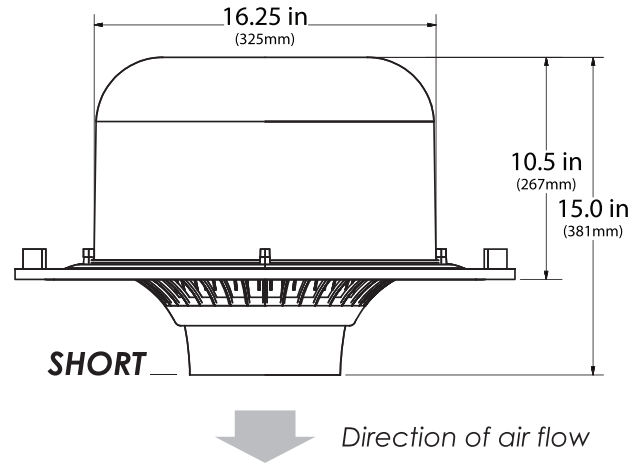
Power: A junction box and receptacle are supplied. Contractor will need to provide MC cable and wire directly to j-box/receptacle mounted to side of dome.

Control Input: 0-10VDC.

Stator: Patented multi-vane stator significantly increases air throw for maximizing performance.

NPBI™: Carbon fiber brush emitters, > 240 Million +/- Ions/cc. Daily auto-cleaning feature.

Warranty: 3 years parts and workmanship for fan
1 years parts and workmanship for NPBI component



Technical Specifications

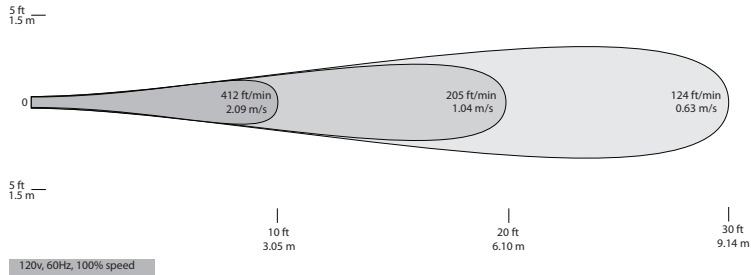
Model	Input Power, 1 Ø	Amps	Watts	RPM	dB(A) ¹	Weight	Colors
S-10-EC-SH-100-130-X-CON-NPG	120VAC, 60Hz	0.2	28	860	27, 21, 18	15 lbs.	X = Off white (W) or black (B)

(1) Calculated sound pressure at 5, 10 and 15 foot distances based on non-reflective area. 41.8 dB(A) Sound Power Level, designed to meet ISO 3744 - engineering grade precision for determining sound power. Data independently verified by third party. Tests performed in-unit.

Controls & Factory Installed Options

Item	Description
Pearlink-F	Pearlink Fan Sensor- One Per Fan. Wi-Fi iOS/Android App based controller
Pearlink-T	Pearlink wired (120v) Floor Thermostat- One Per Room
POT-1	Wall-mounted speed control. Low voltage control wiring daisy-chained between fans to be controlled as a group.
BACnet	BACnet/IP package for integration with an existing BACnet system. Individually control speed, on/off and monitor fan status.
GUARD25	Intake grille: Phosphated steel coated in black plastic. Recommended for installations where occupants can reach fans.

Model:	Qty:
Controls/Options:	Qty:



Housing: PC/ABS, UL 94 5VA flame resistance. Used in a 2 ft. x 2 ft. acoustic ceiling.

Motor: 230mm, electrically commutated, thermally-protected axial motor by ebm-papst®. Operating temperature: -22°F (-30°C) to 122°F (50°C). No lubrication required, bearings are sealed.

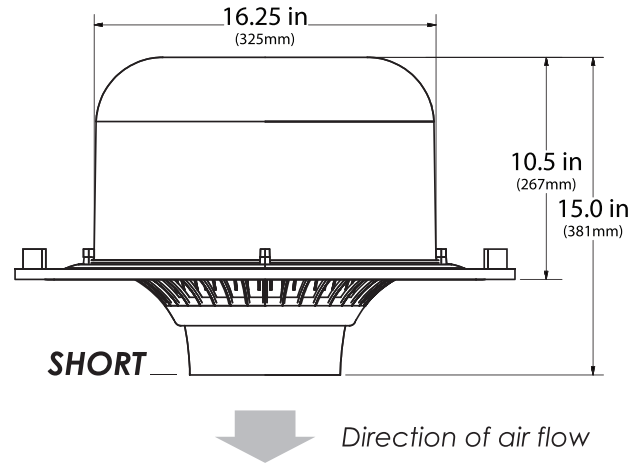
Power: A junction box and receptacle are supplied. Contractor will need to provide MC cable and wire directly to j-box/receptacle mounted to side of dome.

Control Input: 0-10VDC.

Stator: Patented multi-vane stator significantly increases air throw for maximizing performance.

NPBI™: Carbon fiber brush emitters, > 240 Million +/- Ions/cc. Daily auto-cleaning feature.

Warranty: 3 years parts and workmanship for fan
1 years parts and workmanship for NPBI component



Technical Specifications

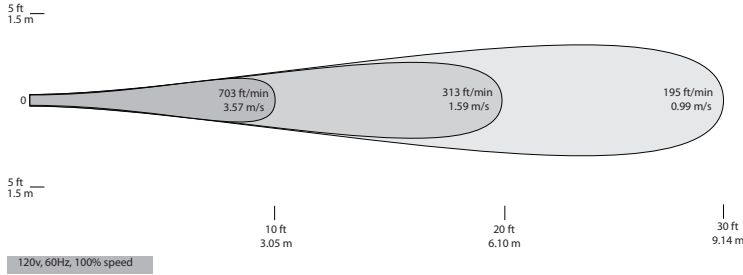
Model	Input Power, 1 Ø	Amps	Watts	RPM	dB(A) ¹	Weight	Colors
S-15-EC-SH-100-130-X-CON-NPG	100-130VAC, 60Hz	0.24	27	1170	47, 41, 37	15 lbs.	X = Off white (W) or black (B)
S-15-EC-SH-200-250-X-CON-NPG	200-250VAC, 60Hz	0.12	20	1260	47, 41, 37	15 lbs.	X = Off white (W) or black (B)

(1) Calculated sound pressure at 5, 10 and 15 foot distances based on non-reflective area. 62 dB(A) Sound Power Level, designed to meet ISO 3744 - engineering grade precision for determining sound power. Data independently verified by third party. Tests performed in-unit.

Controls & Factory Installed Options

Item	Description
Pearlink-F	Pearlink Fan Sensor- One Per Fan. Wi-Fi iOS/Android App based controller
Pearlink-T	Pearlink wired (120v) Floor Thermostat- One Per Room
POT-1	Wall-mounted speed control. Low voltage control wiring daisy-chained between fans to be controlled as a group.
BACnet	BACnet/IP package for integration with an existing BACnet system. Individually control speed, on/off and monitor fan status.
GUARD25	Intake grille: Phosphated steel coated in black plastic. Recommended for installations where occupants can reach fans.

Model:	Qty:
Controls/Options:	Qty:



Housing: PC/ABS, UL 94 5VA flame resistance. Used in a 2 ft. x 2 ft. acoustic ceiling.

Motor: 230mm, electrically commutated, thermally-protected axial motor by ebm-papst®. Operating temperature: -22°F (-30°C) to 122°F (50°C). No lubrication required, bearings are sealed.

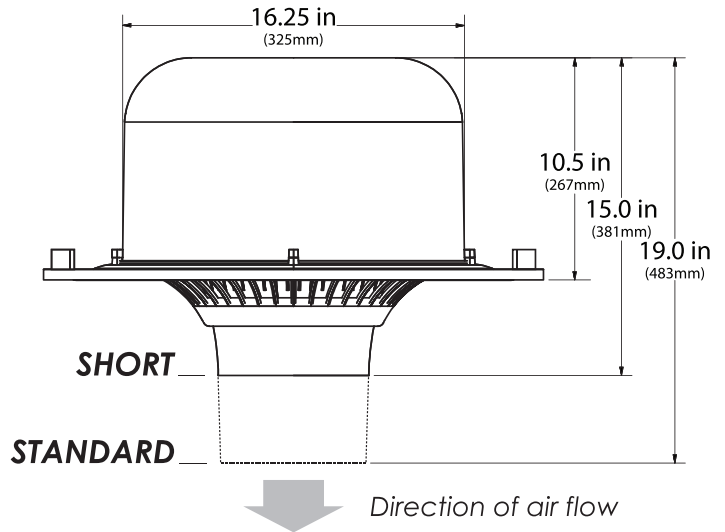
Power: A junction box and receptacle are supplied. Contractor will need to provide MC cable and wire directly to j-box/receptacle mounted to side of dome.

Control Input: 0-10VDC.

Stator: Patented multi-vane stator significantly increases air throw for maximizing performance.

NPBI™: Carbon fiber brush emitters, > 240 Million +/- Ions/cc. Daily auto-cleaning feature.

Warranty: 3 years parts and workmanship for fan
1 years parts and workmanship for NPBI component



Technical Specifications

Model	Input Power, 1 Ø	Amps	Watts	RPM	dB(A) ¹	Weight	Colors
S-25-EC-STD-100-130-X-CON-NPG	100-130VAC, 60Hz	0.54	41	1640	44, 42, 40	16 lbs.	X = Off white (W) or black (B)
S-25-EC-STD-200-250-X-CON-NPG	200-250VAC, 60Hz	0.3	40	1700	44, 42, 40	16 lbs.	X = Off white (W) or black (B)
S-25-EC-SH-100-130-X-CON-NPG	100-130VAC, 60Hz	0.54	40	1640	44, 42, 40	15 lbs.	X = Off white (W) or black (B)
S-25-EC-SH-200-250-X-CON-NPG	200-250VAC, 60Hz	0.3	39	1700	44, 42, 40	15 lbs.	X = Off white (W) or black (B)

(1) Calculated sound pressure at 15, 20 and 25 foot distances based on non-reflective area. 69 dB(A) Sound Power Level, designed to meet ISO 3744 - engineering grade precision for determining sound power. Data independently verified by third party. Tests performed in-unit.

Controls & Factory Installed Options

Item	Description
Pearlink-F	Pearlink Fan Sensor- One Per Fan. Wi-Fi iOS/Android App based controller
Pearlink-T	Pearlink wired (120v) Floor Thermostat- One Per Room
POT-1	Wall-mounted speed control. Low voltage control wiring daisy-chained between fans to be controlled as a group.
BACnet	BACnet/IP package for integration with an existing BACnet system. Individually control speed, on/off and monitor fan status.
GUARD25	Intake grille: Phosphated steel coated in black plastic. Recommended for installations where occupants can reach fans.

Model:	Qty:
Controls/Options:	Qty: