

10K Potentiometer

Wall Mounted



- 10k pot for controlling a 0-10V analogue control input on an EC fan or a VSD that is being used on an AC fan.
- On/Off Switch that switches the digital enable signal from a EC fan or VSD
- Uses HPM Excel wallplate with a removable knob.

Guidelines For Installing the 0-10V Potentiometer



Speed Control Pot

The 10k pot is designed to connect to an analogue 0-10V control signal from a EC fan or VSD being used to control an AC fan. Adjusting this pot will vary the fan speed.

The resistance of the pot is 10k and it has a linear curve (ie the resistance at 10% is 1k, 50% is 5k, 75% if 7.5k, etc).

Please note the "0V" is to be connected to the 0V or GND terminal of the EC motor/VSD, not the Earth.

Switch

To turn On/Off an EC fan or VSD the digital enable input should be used. The 240V/415V power input to the fan or VSD should be kept powered and not used to turn the fan on/off.

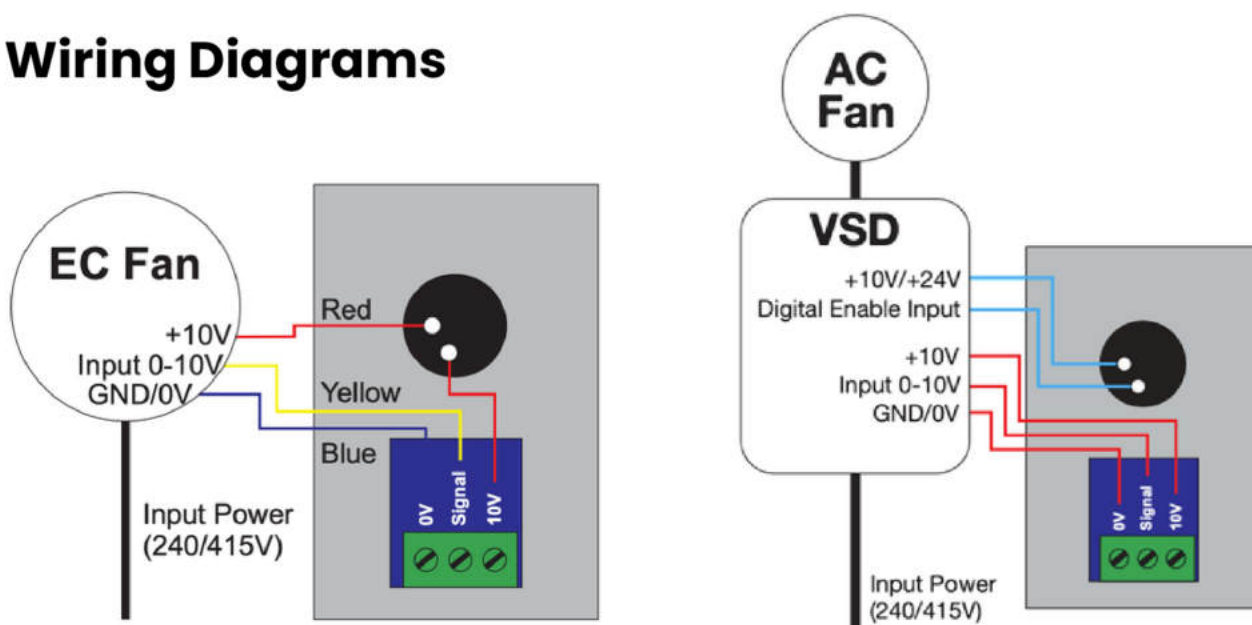
This allows the electronics in the EC fan or VSD to gently stop the motor and power down the electronics - increasing their life.

Turning the EC fan or VSD on/off via the 240V/415V power can damage the electronics due to inrush currents which in turn will reduce the life of the EC fan or VSD

WARNING

The 10k pot and on/off switch is only for use with a 0-10V control signal and digital enable signals - do NOT connect it in anyway with a the 240V/415V power source of the fan or VSD.

Wiring Diagrams





Airius Oceania Pty Ltd

ABN 44 159 838 543

E: info@airius.com.au

W: www.airius.com.au

M: PO Box 1812, Byron Bay NSW 2481