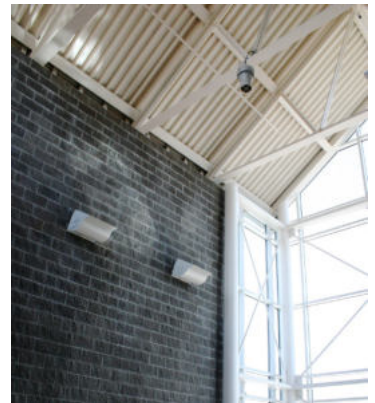


# PEARLINK

Reduce installation cost & control your  
Airius fan system over 2.4Ghz WiFi



## DISTRIBUTED COMFORT

The PearlLink control system offers total fan control from a desktop or mobile device. It integrates with existing WiFi to provide wireless connectivity for monitoring air temperatures and stratification levels for cooling and heating applications and to provide individual or grouped fan control. This factory installed option will replace all control wiring and manual wall controls. Each installation includes a floor sensor to be installed near your thermostat to monitor room temperature and stratification levels.

## WHERE WE HELP

- › Reduce installation cost by eliminating control wiring
- › Control fans individually or in groups over 2.4Ghz WiFi
- › Provide fan control from anywhere in the world on your portable device or laptop

## Features

- › Interface is web-based (Chrome/Firefox), iOS, or Android
- › Monitor temperature and humidity at fan and floor level
- › Utilise temperature information to provide cooling air flow
- › Monitor Delta-T (stratification level)
- › Monitor fans via the integrated tachometer
- › Alerts for run time and/or stratification
- › Upgrade firmware via Over The Air (OTA) encrypted firmware updates

# PEARLINK FAN CONTROL

**Housing:** PC/ABS, Off white (cool gray 2c)

**Mounting:** Factory installed at time of ordering.

**Power Consumption**

Idle: 16mA  
TX/RX: 200mA

**Wi-Fi Characteristics**

802.11b/g/n 2.4 GHz  
TX Power 18 dBm @ 1DSSS  
RX Sensitivity -96 dBm @ 1 DSSS  
Range 100 meters

**Sensors & Accuracy**

Temperature Sensor +/- 0.5°C  
Humidity Sensor +/- 1% RH  
Tachometer +/- 3%

**Interface**

Web-based (Chrome/Firefox), iOS, or Android (Mobile apps available in App Store and Google Play Store)

**Requirements**

2.4 GHz Wi-Fi network  
Phone or tablet with iOS 8 or later, or Android 4 or later required for setup  
Browser for accessing the web dashboard to control devices (PC or MAC)  
A free Pearlink Account

**Operating Conditions**

Temperature 0 to 48.8°C  
Humidity Up to 90% RH  
Altitude Up to 3,300 mts

**Ordering**

The Pearlink control is a factory installed option. Please refer to the individual model data sheets for configuring your fan.

**Warranty**

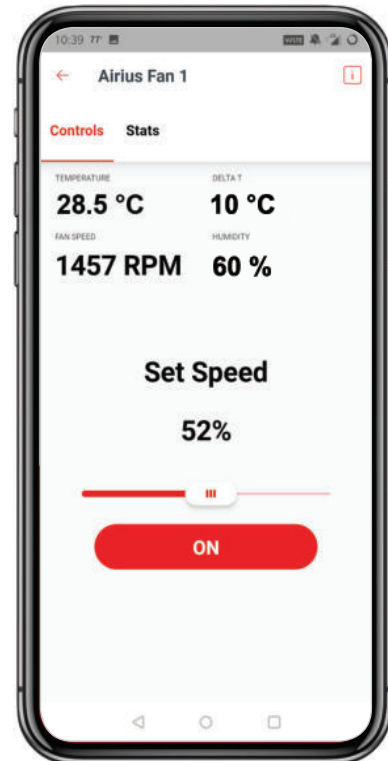
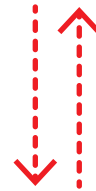
1 years parts and workmanship.



AIRIUS FAN SYSTEM



AIRIUS CONTROLS SERVER



PHONE OR TABLET

# PEARLINK FLOOR SENSOR

**Housing:** PC/ABS, Off white (cool gray 2c)

**Power Cord:** 240V, 1 metre (approx) cord and plug provided.

**Mounting:** Mount to an interior wall 1 metre A.F.F.

**Recommendations:** Airius recommends specifying one floor sensor per room. Multiple fans can be assigned to the same floor sensor.

**Power Consumption**

Idle: 16mA  
TX/RX: 200mA

**Wi-Fi Characteristics**

802.11b/g/n 2.4 GHz  
TX Power 18 dBm @ 1DSSS  
RX Sensitivity -96 dBm @ 1 DSSS  
Range 100 meters

**Sensors & Accuracy**

Temperature Sensor +/- 0.5°C  
Humidity Sensor +/- 1% RH  
Tachometer +/- 3%

**Requirements**

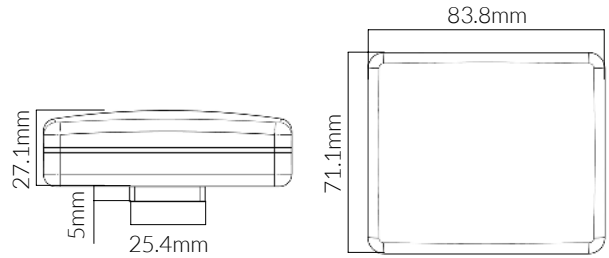
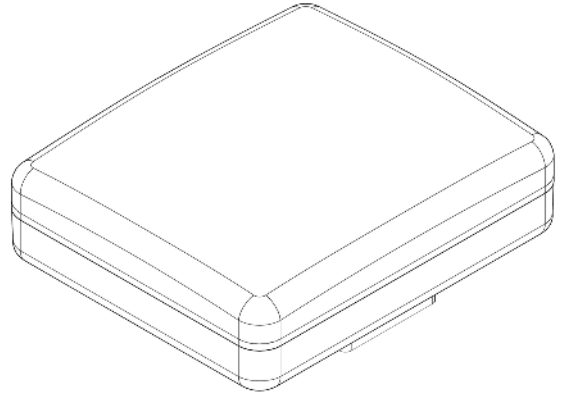
2.4 GHz Wi-Fi network  
Phone or tablet with iOS 8 or later, or Android 4 or later required for setup  
Browser for accessing the web dashboard to control devices (PC or MAC)  
A free Pearlink Account

**Operating Conditions**

Temperature 0 to 48.8°C  
Humidity Up to 90% RH  
Altitude Up to 3,300 mts

**Warranty**

1 years parts and workmanship.



SCALE = NTS