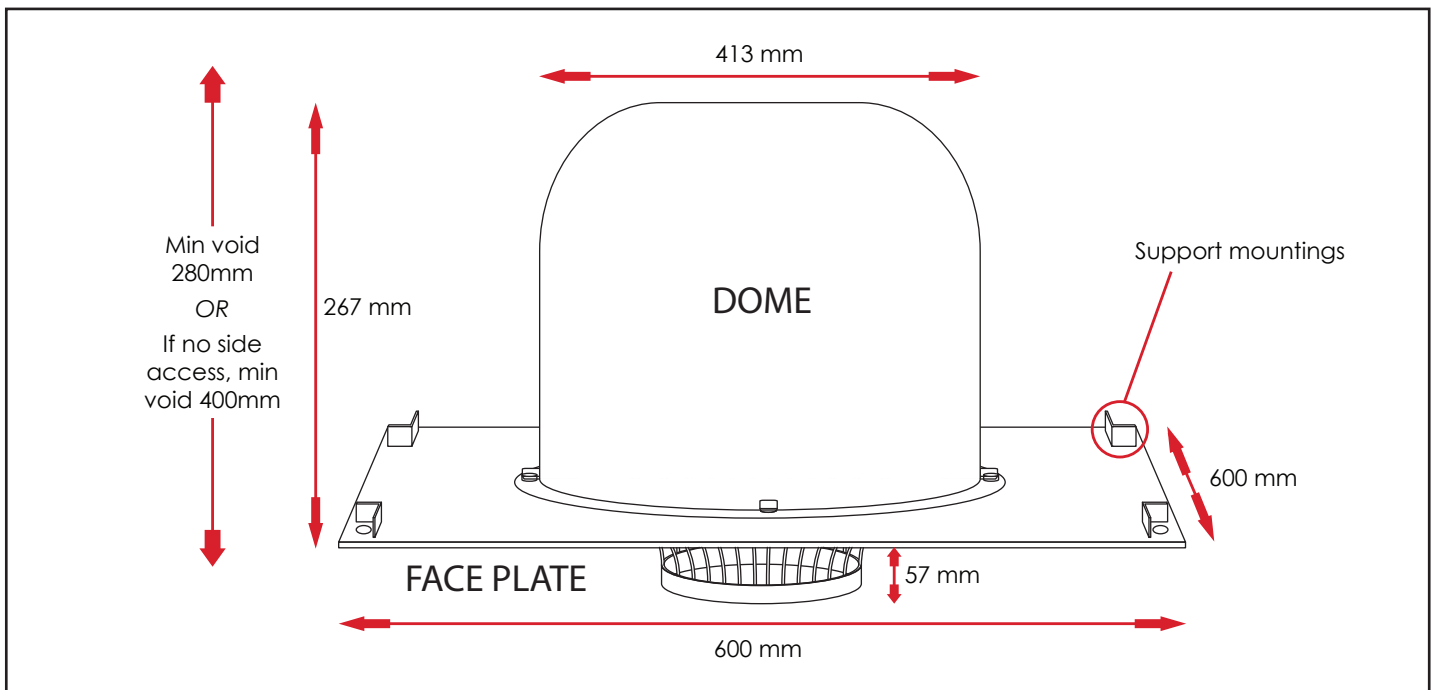


DIMENSIONS



PROPERTIES

UNIT SIZE	Standard
Weight:	3.6 kgs
Width:	600 mm
Depth:	600 mm
Grill Height:	57 mm
Dome Diameter:	413 mm
Dome Height:	267 mm
Total Height:	324 mm



HOUSING

- 600mm x 600mm lay-in ceiling mount
- PC/ABS Resin
- 5VA flame resistance rating

NOZZLE LENGTHS - from face plate

- Models 10, 15 & 25 Short = 120mm
- Models 10, 15 & 25 Standard = 222mm

COLOUR

- Cool gray 2C - Off white as standard
- Can be tailor painted to your colour specifications

WARRANTY

- 5 years parts and workmanship from shipping date
- 90 day money back guarantee (T's & C's apply)

PLACEMENT

PREPARATION

- Install electrical circuit(s) and outlet(s) in accordance with national and local electric codes
- Outlets should generally be mounted vertically unless a "twist/locking" type is being used
- Wall switch may be installed in circuit to disable power and prevent electrical hazards when servicing
- Confirm electrical continuity of Airius unit on the ground before permanently mounting in the ceiling

INSTALLATION

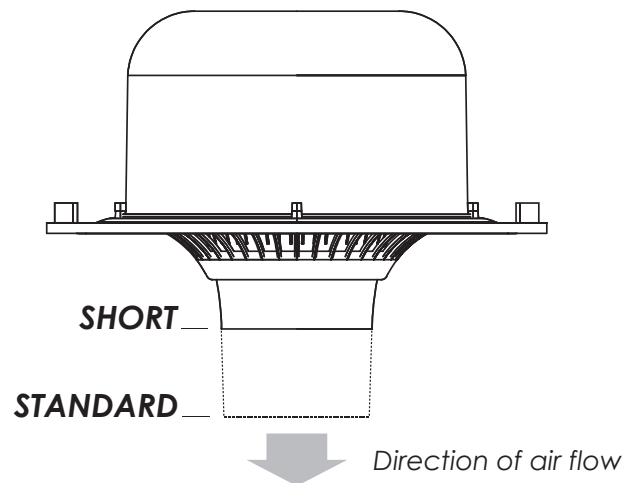
- The Airius unit performs best when air column from the nozzle is unimpeded to the floor
- Use professionally installed hardware, capable of supporting a minimum of five times the weight
- Hardware to hang the unit includes but is not restricted to: Hooks, chains, cables, carabiners, bridle rings, beam clamps and bolts
- Density of the placement is directly related to the effectiveness, performance and savings
- Mount out of reach from people and animals
- Floor plans, mezzanines, office locations, machinery, people placement, plumbing, lighting, duct work, electrical systems, natural light/air systems, cranes, doors, windows, ventilation and fire suppression systems are all factors in properly locating the Airius system within the ceiling

OPERATION

- Designed to operate 24 hours-a-day, 7 days-a-week to maintain thermal equalization/humidity equalization
- Use optional speed control to fine tune RPM if needed

MAINTENANCE

- Frequency of cleaning will vary by application and environment
- You may clean the plastic housing with a damp warm cloth, using mild household detergents
- Do not use petroleum products, thinners or solvents to clean any part of the Airius unit
- If the Airius unit fails, contact manufacturer



MATERIALS & PROPERTIES

- Constructed from recyclable materials
- The outer shell, stator and fan blades are fire rated 5VA materials



Airius LLC, © 2011. All Rights Reserved.