

## INSTALLATION INSTRUCTIONS FOR 1 AMP SPEED CONTROLLERS

Speed controller for single phase voltage controllable motors

1 x 1 AMP CONTROLLER WILL OPERATE THE FOLLOWING:

AIRIUS MODEL	10	15/S2	25/S1	45/PS-4	45/PS-2	Onyx PS-4	50/PS-4	60/PS-4	G400/PS-4
NO. OF UNITS	13	10	5	4	1	2	2	1	1

PLEASE CONTACT AIRIUS FOR RECOMMENDED QUANTITY OF FANS PER CONTROLLER FOR YOUR UNIQUE APPLICATION

### Technical Data

Voltage: 230Vac – 50/60Hz

	MAX AMPS	FUSE
STR-1-10L10	1.0	FT-1.25 A

Enclosure: Plastic R-ABS, UL94-V0, grey RAL 7035 or sheet steel (RAL 7032, polyester powder coating).

Recommended prim. Fuse: ca 1,5 x trafo.

Max ambient temperature: 35°C

These transformer speed controllers are based on the principle of voltage control with auto-transformers. They are applicable to voltage-controllable motors (230V – 50/60Hz) to control the speed (of fans, pumps etc.). When choosing a controller it is important to know the current intensity consumption on the taps.

### Mounting

The controllers are to be mounted on a smooth surface. Connect voltage supply, motor(s) and earth as shown in the scheme with cables of the proper diameter. On the mains side, a safety switch with recommend pre-fuses has to be installed.

### Transport and Stock Keeping

Avoid shocks and extreme conditions, stock in original packaging.



### Warranty

Two years from delivery date against defects in manufacturing. Any modifications or alterations to the product relieve the manufacturer of all responsibility. The manufacturer bears no responsibility for any misprints or mistakes in this data, and modifications or improvements to the product can be made at any time after date of publication.

### Maintenance

In normal conditions the controllers are maintenance-free. If soiled clean with dry or dampish cloth. In case of heavy pollution clean with a non-aggressive product. In these circumstances the controller should be disconnected from the mains. Pay attention that no fluids enter the controller. Only reconnect the controller to the mains when it is completely dry.

### Motor Protection

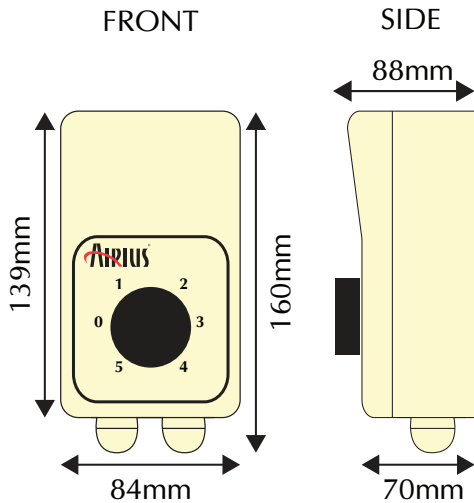
It is always recommended to install a proper motor protection device.



All works may only be carried out by skilled personnel following the local regulations and AFTER the controller is completely separated from the mains. Replace fuse only with same type and rating.

According to the low voltage directive: 2006/95/EC  
The EMC directive: 2004/108/EC

## DIMENSIONS



## SPEED CONTROLLER COMPONENTS

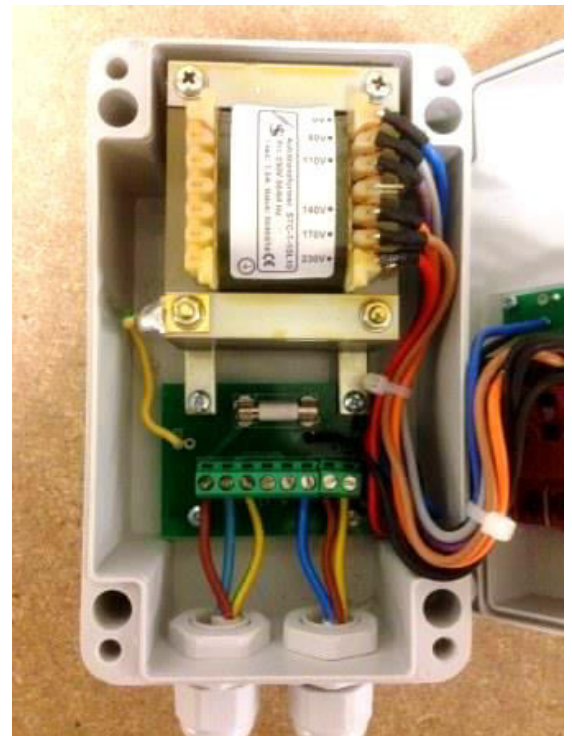
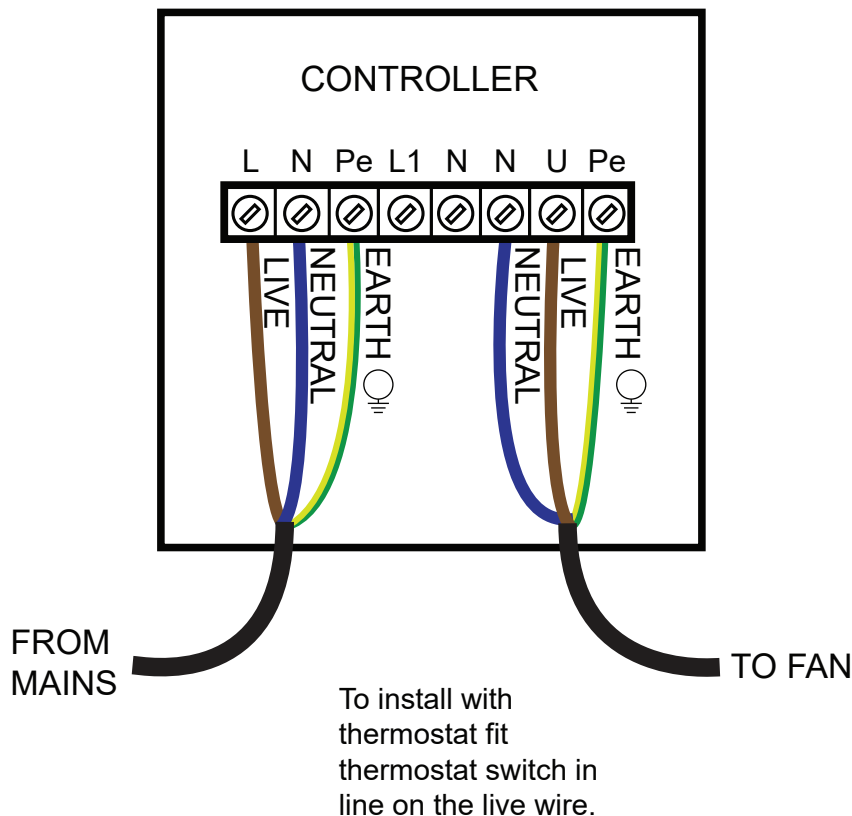


SPEED CONTROLLER  
(FULLY ASSEMBLED)



4 x SCREWS AND WALL  
PLUGS FOR WALL MOUNTING

## WIRING DIAGRAM



When wiring is complete controller should appear as above.

**PLEASE NOTE: THIS CONTROLLER MUST BE EARTHED**

## MODEL 60 P4 UNITS ONLY

### PLEASE NOTE:

All Model 60 units **MUST** be installed with an Airius Toroidal Transformer.

PARAMETERS	AE1200-220T
INPUT	240Vac 50Hz
OUTPUT	220Vac
PHASE	1 PHASE
RATING	MAX. 1.2kVA (5.45 A @ 220vac)
TYPE	TOROIDAL TRANSFORMER
CONFIGURATION	AUTO (NON-ISOLATED) TRANSFORMER
WINDING TYPE	COPPER WINDINGS
INSULATION CLASS	CLASS B (130°C)
COOLING TYPE	AN
PROTECTION	SAFETY FUSE ON INPUT
ENCLOSURE	INDOOR METAL ENCLOSURE
DIMENSIONS	180 x 160 x 120 (W x D x H) mm
WEIGHT	3.5 Kg
INPUT CONNECTION	INPUT 1.5m AUSTRALIAN APPROVED 10A PLUG - PLUS ILLUMINATED POWER SWITCH
OUTPUT CONNECTION	OUTPUT FLUSH MOUNTED 10A AUSTRALIAN APPROVED SOCKET
LIFTING	SOFT CARRY HANDLE

## INSTALLATION

240 V



**AIRIUS TOROIDAL TRANSFORMER**



**SPEED CONTROLLER**



**AIRIUS MODEL 60 P4 FAN**



## WIRING DIAGRAM

